

D

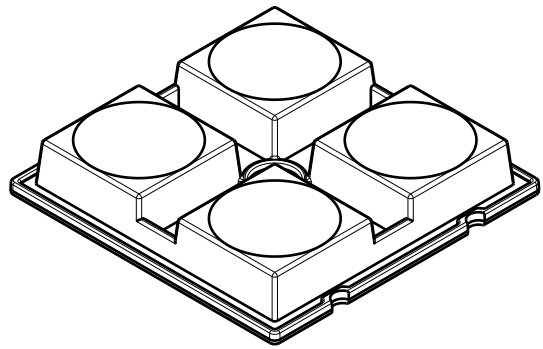
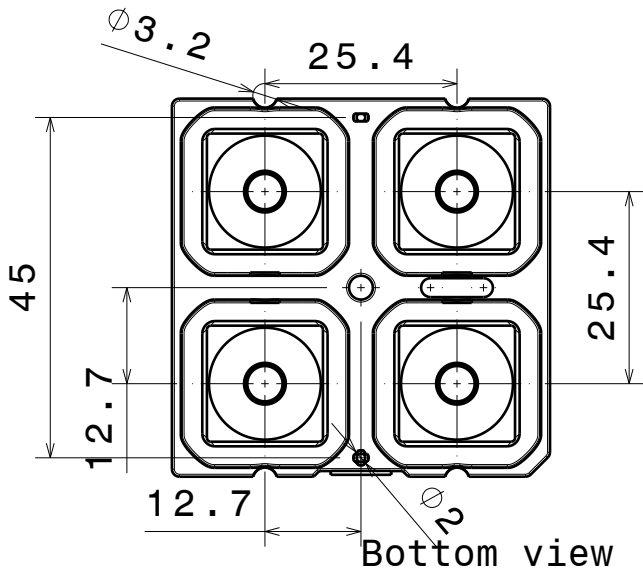
C

B

A

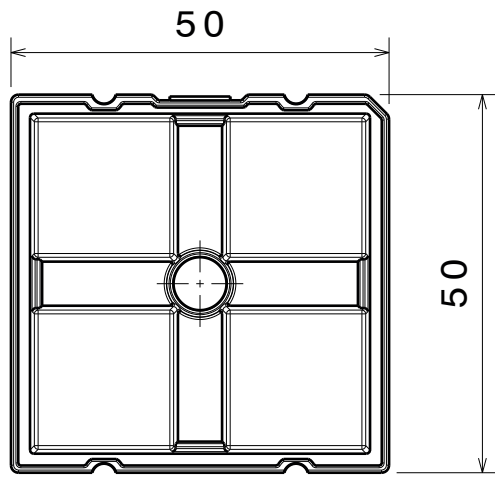
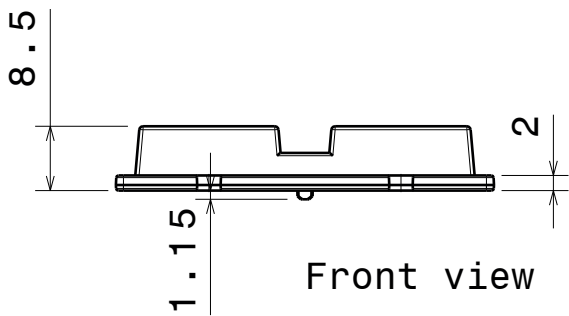
4

4



3

3



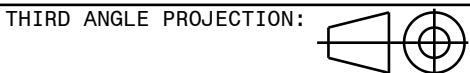
2

2

INDEX	PART NO	DESCRIPTION	MATERIAL	COLOUR
1	C13239	HB-2X2-M-BLIND	PMMA	

Plastic moulding general tolerances according to DIN 16901-130 and applies if not otherwise shown in the drawing.  
Silicone moulding general tolerances according to ISO 3302-1 Class M3 and applies if not otherwise shown in the drawing.

**LEDiL**  
Ledil Oy  
Salorankatu 10  
FIN 24240 SALO  
Finland



DRAWING TITLE  
**HB-2X2-M-BLIND**

This drawing is the property of LEDiL Oy. It may not be reproduced, copied or communicated without a written agreement with LEDiL Oy."

SIZE  
**A4**  
**C13239**

SCALE 1:1 WEIGHT SHEET 1/1

D

A

1

1